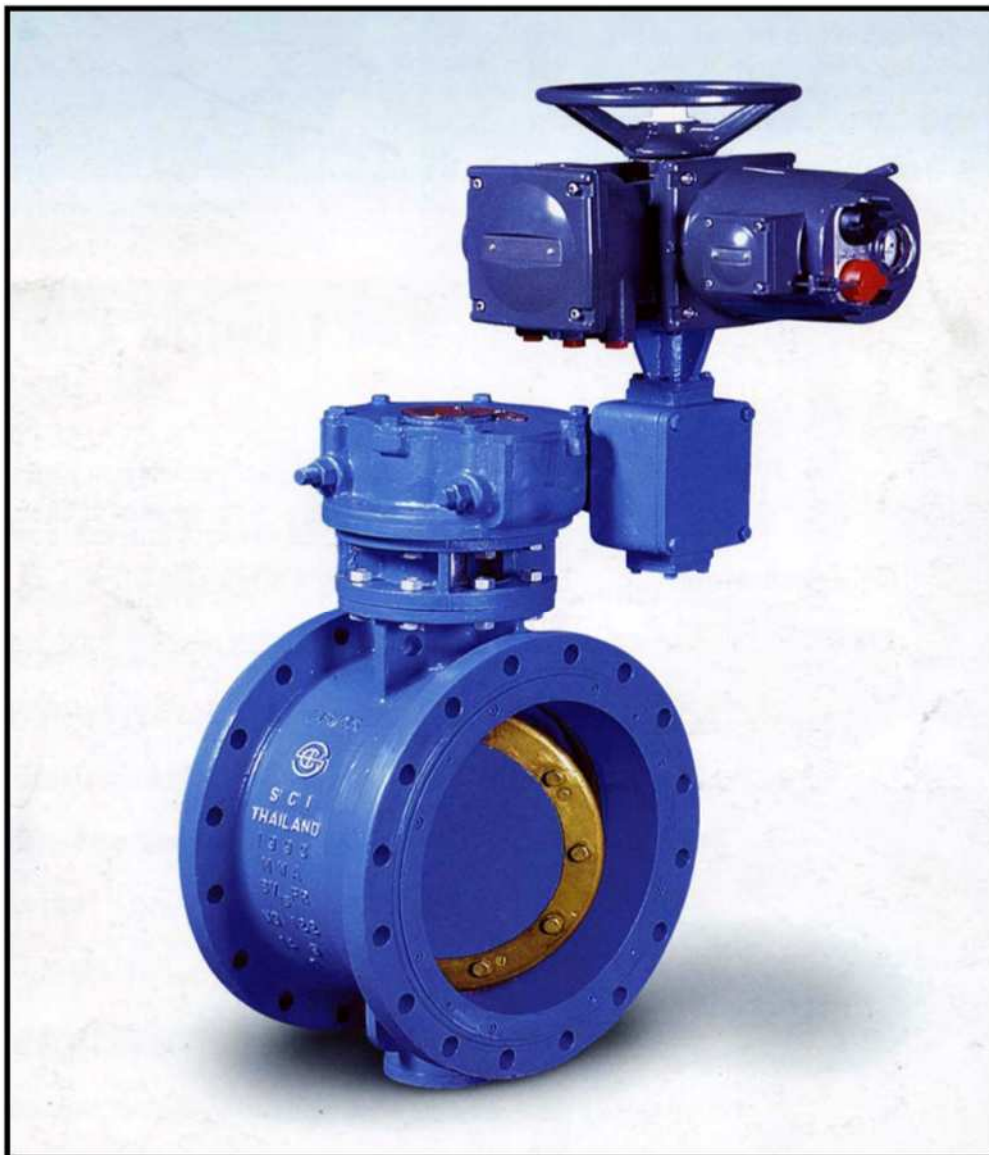




Manufactured by
SCI CORPORATION Co.,Ltd.

BUTTERFLY VALVES

(Double Flanged Eccentric Valves)



ISO 9001 CERTIFIED

**Compact, tight closing, easily installed and operated. Especially built
for long with negligible maintenance.**

SCI Butterfly Valves

Butterfly valves provide a unique combination of simplicity, durability and reliability. They are low cost, easy to install, ideally suited for open/shut services. It is also suitable for throttling service.

The application cover a various range of liquids and gases, including water, natural gas, oils (animal , vegetable and mineral) , dilute acid etc.



Fig.212



Fig.212

Valves are manufactured and tested according to AWWA C504 Class 25, 75, 150 A&B, DIN 3352, BS 5155 and TIS 382, rated pressure to PN 10/18/25, face to face to AWWA C504, DIN 3202 F4, ISO 5752 Series 14, BS 5155 and TIS 382. Valves can be provided with either Vertical or Horizontal shafts.

Standard valves are equipped for manual operation with either lever or gear (worm gear). It can be fitted with hydraulic, electric or pneumatic actuators. Valves can be opened and closed smoothly and flow rate can be controlled by varying the opening position of the disc.

RESILIENT SEATED BUTTERFLY VALVE (80-3000 MM.)



Fig.238

Rubber seated valves are delicately and properly designed with synthetic rubber to ensure a long service life, and are rated between -20 °C to 140 °C temperature range. It is suited for bi-directional flow and can be supplied with either single and double eccentric off-set disc.

The rubber seat ring is mechanically retained by a metal ring secured to the body or disc and is fully adjustable and replaceable without removing the valve from the line.

The mating seat can be of copper alloy, stainless steel or other materials as requested.



Fig.207

METAL SEATED BUTTERFLY VALVE (80-1500 MM.)

SCI has developed double eccentric butterfly valves for better control and tighter shut-off services especially for applications where resilient seated valves cannot be use due to its limited mechanical and chemical properties.

Metal seated butterfly valve is suitable for bi-directional services, and temperature range from -50 °C to 400°C. Sealing shall be achieved by means of flexible stainless steel seal on disc. Valve shaft shall be anti-blow out design.



Fig.202

VALVE FIGURES NO.

- Fig. 202 : Metal Seated with Handwheel or Cap or Operating Nut or Pneumatic / Electric Actuator.
- Fig. 207 : Horizontal Shaft, Rubber Seated on the Body with Handwheel or Cap or Operating Nut or Actuator.
- Fig. 212 : Rubber Seated on the Body with Handwheel or Cap or Operating Nut or Actuator.
- Fig. 238 : Rubber Seated on the Disc with Lever.

DESIGN SPECIFICATIONS

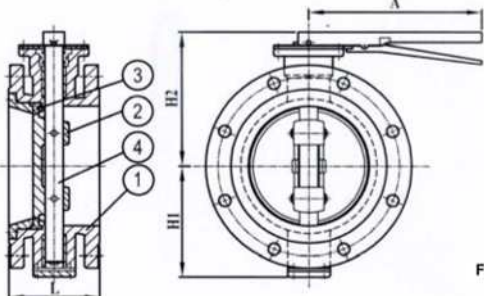


Fig.238

SIZE Ød	FACE TO FACE					H1	H2	A	WEIGHT kgs.
	AWWA C504		ISO 5752 SERIES14 DIN 3202 F4	BS.5155					
	SHORT	LONG		SHORT	LONG				
80	125	125	180	114	180	115	157	260	15
100	125	175	190	127	190	130	168	260	19
150	125	200	210	140	210	162	202	260	32
200	125	212.5	230	152	230	190	235	260	45
250	125	375	250	165	250	220	266	350	69
300	125	375	270	178	270	247	305	350	77

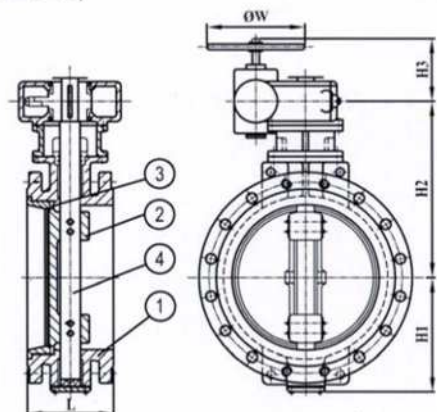


Fig.212

SIZE Ød	FACE TO FACE					H1	H2	H3	ØW	WEIGHT kgs.
	AWWA C504		ISO 5752 SERIES14 DIN 3202 F4	BS.5155						
	SHORT	LONG		SHORT	LONG					
350	200	400	290	190	290	297	460	125	250	135
400	200	400	310	216	310	320	475	125	250	180
450	200	400	330	222	330	353	515	125	250	217
500	200	450	350	229	350	388	560	157.5	315	283
600	200	450	390	267	390	457	625	200	400	478
700	300	550	430	292	430	520	685	200	400	769
750	300	550	450	305	450	537	755	200	400	880
800	300	550	470	318	470	590	820	225	450	1082
900	300	550	510	330	510	658	888	225	450	1293
1000	300	600	550	410	550	725	975	225	450	1460
1200	375	650	630	470	630	884	1123	311.5	623	2475
1350	375	700	710	530	710	925	1185	311.5	623	2750
1400	375	700	710	530	710	976	1223	311.5	623	3265
1500	375	750	750	565	750	1060	1265	311.5	623	4050
1600	450	850	790	600	790	1075	1430	311.5	623	4850
1800	-	-	870	670	870	1200	1445	311.5	623	6715
2000	-	-	950	760	950	1340	1560	311.5	623	7520
2200	-	-	1030	850	1030	1480	1700	311.5	623	8880
2400	-	-	1110	930	1110	1620	1840	311.5	623	10400
2600	-	-	1190	1010	1190	1760	1980	311.5	623	12300
2800	-	-	1240	1090	1240	1900	2120	311.5	623	13900
3000	-	-	1350	1170	1350	2050	2270	311.5	623	15960

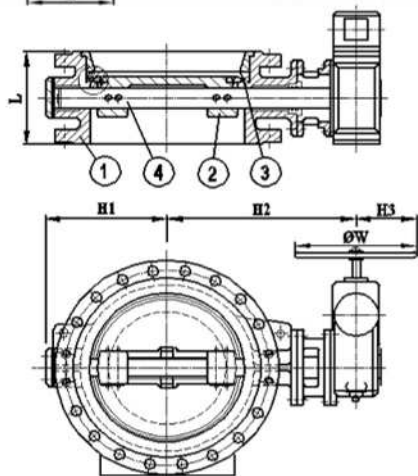
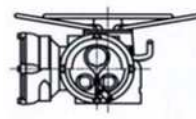
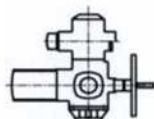


Fig.207

HYDRAULIC,PNEUMATIC
ACTUATOR



ELECTRIC ACTUATOR



NO.	PARTS NAME	MATERIAL	ASTM.DESIGNTION	BS.STANDARD	DIN.STANDARD
1	Body	Cast Iron	A 126 Class B	1452 Gr.220,250,300	1691 GG25
2	Disc	Ductile Iron	A 536 Grade 65-45-12	420/12	163 GGG 50
		(Spheroidal Graphite Iron)	A 536 Grade 80-55-6 A 395	500/7 600/3	
3	Seat	Bronze	B 62	1400 LG.2	1705 G-CuSn5ZnPb
		Stainless Steel	A276 Type 304,316,316L,431	304S15	17440 X5CrNi 1810
				316S16 316S12(316L) 431S29	17440 X5CrNiMo 17122 17440 X2CrNiMo 17132 17440 X17CrNi 16-2
Rubber (EPDM,NBR)	D 2000	2494	53 538		
4	Shaft	Stainless Steel	A276 Type 304,316,316L,431	970 Gr. 304S15 316S16 316S12(316L) 431S29	17440 X5CrNi 1810 17440 X5CrNiMo 17122 17440 X2CrNiMo 17132 17440 X17CrNi 16-2



SCI CORPORATION Co.,Ltd.

Factory: 1/12 Moo 2, Samutsakorn Industrial Estate, Soi 7,
Rama 2 Road, Tahsai, Muang, Samutsakorn 74000, Thailand
Tel: (6634)440-130 Fax: (6634)440-137 E-mail: sci@scivalve.com



ISO 9001:2015
File No.438881 QM
ISO 14001:2015
File No.438881 UM